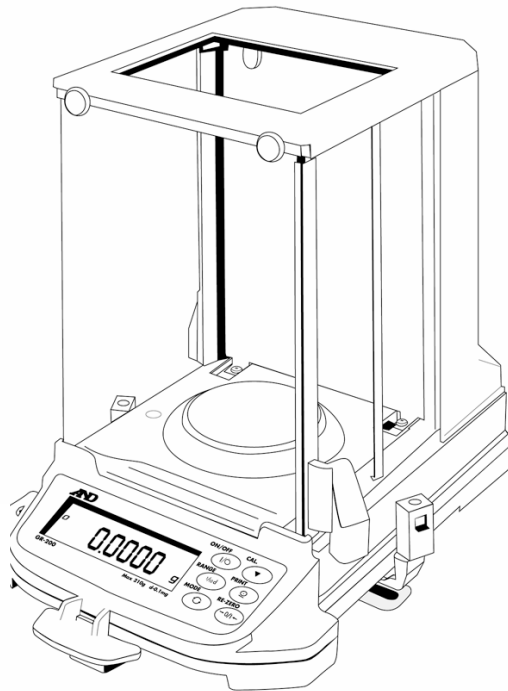


GR Series

Analytical Balances

**Resolution
up to
1/3,100,000!**

**Automatic
Calibration**



**A choice of
units of measure:**
Gram, Milligram,
Decimal Ounce (av),
Carat, Pennyweight,
Troy Ounce, Grain,
Tola, Teal, & Momme

**Plus: Percentage
Counting**

Features

- Simple & Easy to Operate.
- Easy Access Door System.
- GLP Software which outputs the calibration data & ID number of the balance for calibration confirmation to the AD-8121A Printer
- Automatic Self-Calibration.
- Data Memory Function stores up to 200 sets of weighing data.
- Underhook Capability for density measurement & weighing magnetic material.

Four popular capacities to choose from:

| Model | Capacity | Resolution | Pan size |
|---------|----------|----------------------|----------|
| GR-120 | 120g | 0.0001g | Ø85mm |
| GR-200 | 210g | 0.0001g | Ø85mm |
| *GR-202 | 210g/42g | 0.0001 / 0.00001g | Ø85mm |
| GR-300 | 310g | 0.0001g | Ø85mm |

* **Dual Range**

Fax-on-Demand

(800) 726-7099, Press 2 / (408) 263-2278

Document #15

www.andweighing.com



1555 McCandless Drive
Milpitas, CA 95035, USA
Toll Free: (800) 726-7099
Phone: (408) 263-5333
Fax: (408) 263-0119

Specifications:

| | GR-120 | GR-200 | GR-300 | GR-202 |
|--------------------------------|--|---------------|--------------------|------------------------------|
| Gram (g) | 120 x 0.0001 | 210 x 0.0001 | 310 x 0.0001 | 210 x 0.0001/42 x 0.00001 |
| Milligram (mg) | 120000 x 0.1 | 210000 x 0.1 | 310000 x 0.1 | 210000 x 0.1/42000 x 0.01 |
| Decimal Ounce (oz) | 4.2 x 0.00001 | 7.4 x 0.00001 | 10 x 0.00001 | 7.4 x 0.00001/1.4 x 0.000001 |
| Troy Ounce (ozt) | 3.8 x 0.00001 | 6.7 x 0.00001 | 9.9 x 0.00001 | 6.7 x 0.00001/1.3 x 0.000001 |
| Pennyweight (dwt) | 77 x 0.0001 | 135 x 0.0001 | 199 x 0.0001 | 135 x 0.0001/27 x 0.00001 |
| Carat (ct) | 600 x 0.001 | 1050 x 0.001 | 1550 x 0.001 | 1050 x 0.001/210 x 0.0001 |
| Momme (mm) | 32 x 0.0001 | 56 x 0.0001 | 82 x 0.0001 | 56 x 0.0001/11 x 0.00001 |
| Grain Unit (GN) | 1851 x 0.002 | 3240 x 0.002 | 4784 x 0.002 | 3240 x 0.002/648 x 0.0002 |
| Tola (t) | 10 x 0.00001 | 18 x 0.00001 | 26 x 0.00001 | 18 x 0.00001/3.6 x 0.000001 |
| Tael (TL) | 3.1 x 0.00001 | 5.5 x 0.00001 | 8.2 x 0.00001 | 5.5 x 0.00001/1.1 x 0.000001 |
| Percentage Min. Div. | 0.01%, 0.1% or 1% (auto prompt) | | | |
| Counting Min. Weight | 0.1mg | | | |
| Linearity | ±0.0002g | | ±0.0002g/±0.00003g | |
| Repeatability/Std. Dev. | 0.0001g | | 0.0001/0.00002g | |
| Stability Time (typically) | 3.5 seconds | | 3.5/8 seconds | |
| Sensitivity Drift | ±2ppm / °C(10°C~30°C / 50°F~ 86°F) | | | |
| Display Refresh | 5 times per second (stable) / 10 times per second (unstable) | | | |
| Pan Size | φ85mm / 3.3 in | | | |
| Physical Dimensions mm | 249 (W) X 330 (D) X 327 (H) | | | |
| Physical Dimensions inches | 9.8 (W) X 12.99 (D) X 12.87 (H) | | | |
| Breeze Break Dimensions mm | 178 (W) X 160 (D) X 233 (H) | | | |
| Breeze Break Dimensions inches | 7.01 (W) X 6.5 (D) X 9.17 (H) | | | |
| Operating Temperature | 5°C~40°C / 41°F~104°F RH less than 85% | | | |
| Weight (Approx.) | 6.0 kg. / 13.2 lbs. approx. | | | |
| Power | 100, 120, 220, 240 VAC (AC Adapter) 50Hz/60Hz | | | |
| Standard Accessories | Manual, AC Adapter, Reference Card | | | |
| Ext. Cal. Mass (optional) | 50g/100g | 100g/200g | 200g/300g | 100g/200g |

Specifications are subject to change without notice.

Accessories

- **AD-100-2**Anti-Theft Device
- **AD-1653** Specific Gravity Measurement Kit
- **AD-8920**.....External Display
- **SW:128**.....Foot Switch
- **TB:110**.....AC Adapter (120V)
- **TB:123**.....AC Adapter (220V)
- **AD-1191**.....Compact Printer
- **AD-8118A**Multi-Function Printer
- **AD-8118B**Universal Printer
- **AD-8121A**Multi-Function Printer
- **Calibration Weights**

Fax-on-Demand

(800) 726-7099, Press 2 / (408) 263-2278

Document #15

www.andweighing.com

last saved:1/23/02



1555 McCandless Drive
Milpitas, CA 95035, USA

Toll Free: (800) 726-7099

Phone: (408) 263-5333

Fax: (408) 263-0119