

Data Sheet

High Capacity Manual Force Test Stands TSF & TSFH

32-1055 REV 1

The TSF test stand is ideal for spring testing, destructive testing, product integrity testing, and other applications requiring up to 1,000 lbf (5,000 N) of push or pull force. The stand features a large side mounted hand wheel requiring minimal user effort and a rigid 3" x 3" column. A removable steel loading surface with threaded holes for fixture and grip mounting adds flexibility for many testing applications, and a solid metal base (TSF) contains a storage pocket and holes for bench mounting. Available in vertical and horizontal orientations.

Specifications

Load capacity:	1000 lbf [5000 N]
Maximum travel:	4.0 in [102 mm]
Loading method:	Side-mounted hand wheel
Travel rate:	0.013 in [0.34 mm] per wheel rev.
Weight:	
TSF	33 lb [14.5 kg]
TSFH	27 lb [12.3 kg]
Included accessories:	Tool kit, three hooks (small, medium, and large), 2" and 3" compression plates, two couplers (#10-32 and 5/16-18), force gauge mounting hardware
Warranty:	3 years (see individual statement for further details)

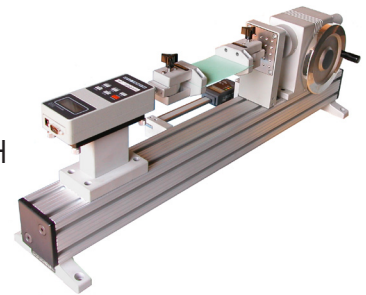
Optional Equipment

Digital travel display TSF001	6 in [150 mm] travel, 0.0005 in [0.01 mm] resolution, 0.001 in [0.03 mm] accuracy, SPC output for data collection.
Horizontal / wall mounting kit TSF002	Converts the TSF to a TSFH
BGI mounting kit AC1004	If a BGI indicator with remote sensor is used with the TSF/TSFH, the BGI can be securely mounted to the side of the column with this adapter

TSF



TSFH



The TSF is shown testing the peel force of a sample, with a Series 5 digital force gauge and digital travel display

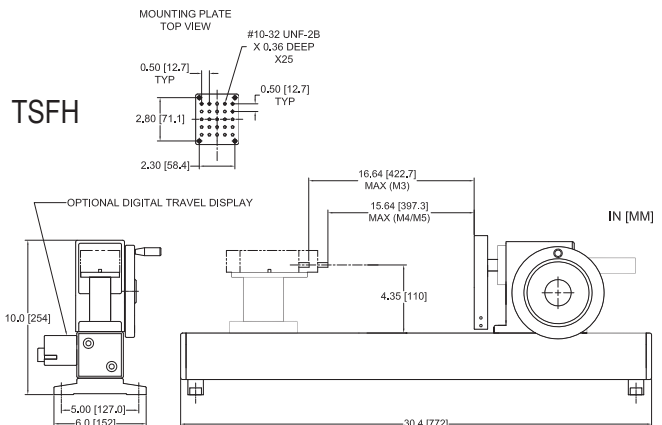
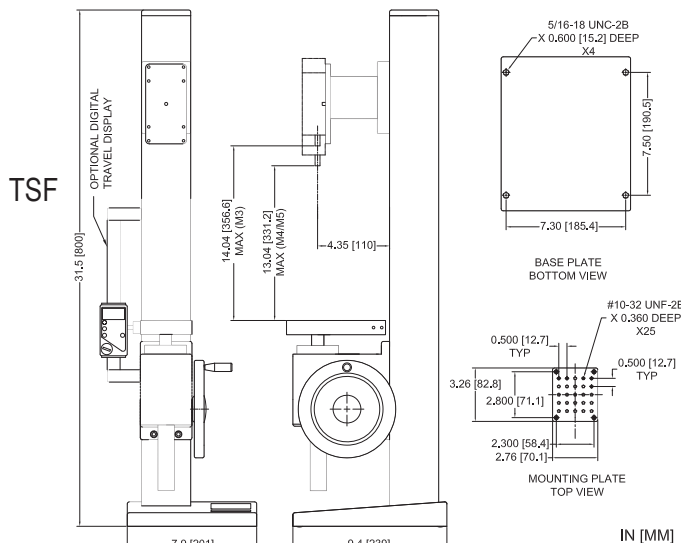
The TSFH is shown in a tensile test, with Series 5 digital force gauge, film and paper grips, and digital travel display

>> Digital travel display



Dimensions

in [mm]



Ordering Information

Model No.	Description
TSF	Test stand, hand wheel-operated, 1000 lbf, vertical
TSFH	Test stand, hand wheel-operated, 1000 lbf, horizontal
TSF001	Digital travel display for TSF/TSFH
TSF002	Horizontal / wall mounting kit for TSF
AC1004	Mounting kit, BGI to test stand



Mark-10 Corporation ■ www.mark-10.com ■ info@mark-10.com
Toll-free: 888-MARK-TEN ■ Tel: 631-842-9200 ■ Fax: 631-842-9201



Specifications subject to change without prior notice